



Z2S22...type Modular Hydraulic Operated Check Valve



Z2S22...5XJ...type

Size 22
Max. Working Pressure: 315 bar
Max. Flow: 450 L/min

Contents

Function and configurations	02
Symbols	02
Specifications	03
Technical data	03
Characteristic curves	03
Unit dimensions	04

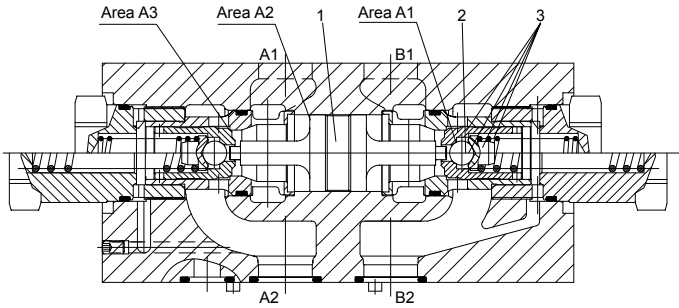
Features

- Porting pattern confirms to DIN 24 340
- Leakage-free closure for one or two ports
- Sandwich plate valve, for use in vertical stacking assemblies
- 4 cracking pressures, optional

Function and configuration

Z2S22 type valve is a releasable check valve in sandwich plate design. It is used for the leakage-free closure of one or two service ports, even for long periods of time. Free flow occurs from A1 to A2 or B1 to B2. Flow in the opposite direction is blocked. When fluid flows from A1 to A2, the spool (1) is pressurised and is pushed to the right, thereby opening the ball poppet valve (2) which then opens the check valve (3).

In order to make reliable closure of the two check valves in the central position, the service ports A1 and B1 of the directional valve must be connected to returning line .

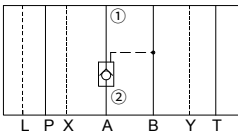


Z2S22..5XJ/...check valve, hydraulic pilot operated

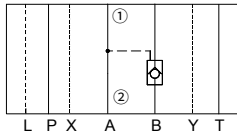
1 Spool 2 Ball poppet valve 3 Check valve

Symbols (① =valve side, ② = sub-plate side)

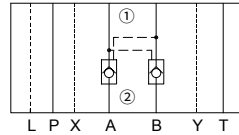
Z2S22A..5XJ/...



Z2S22B..5XJ/...



Z2S22..5XJ/...



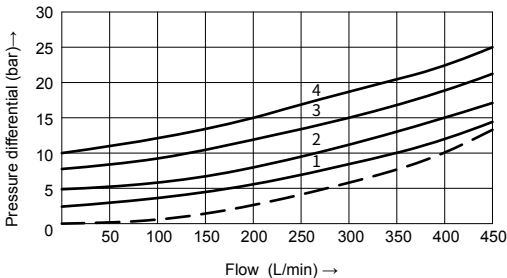
Specification

Z2S	22			5XJ	/	*
Modular Hydraulic check valve		Further details in clear text				
Nominal size 22 = 22		No code = NBR seals V = FKM seals				
Check valve in channel A and B =-		5XJ= Series 50J to 59J				
Check valve in channel A = A		(50J to 59J: unchanged installation and connection dimensions)				
Check valve in channel B = B		1 = Cracking pressure 3bar				
		2 = Cracking pressure 5bar				
		3 = Cracking pressure 7.5bar				
		4 = Cracking pressure 10bar				

Technical data

Fluid	Mineral oil suitable for NBR and FKM seal Phosphate ester for FKM seal	
Degree of contamination	Maximum permissible degree of fluid contamination: Class 9. NAS 1638 or 20/18/15, ISO4406	
Fluid temperature rang	°C	-30 to +80 (NBR seal) -20 to +80 (FKM seal)
Viscosity range	mm ² /s	2.8 to 500
Operating pressure	bar	315
Max.flow-rate	L/min	450
Flow direction	See symbol Crack	
pressure(free flow direction)	bar	3, 5, 7.5, 10
Area ratio	A1/A2=1/13.6, A3/A2=1/2.8 (Please refer to page "02/04" for section drawing)	
Weight	kg	12.8

Characteristic curves (Measured at t=40°C ±5°C , using HLP46)



- A → A1; B → B1
- - A1 → A; B1 → B
- 1 Cracking pressure 3bar
- 2 Cracking pressure 5bar
- 3 Cracking pressure 7.5bar
- 4 Cracking pressure 10bar

