



RVP...type Check Valve



RVP...1XJ...type

Sizes 6, 8, 10, 12, 16, 20, 25, 30, 40
Max. Working Pressure: 315 bar
Max. Flow: 600 L/min

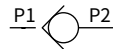
Contents

Function and configuration	02
Specification	02
Characteristic curves	03/
Technical data	03
Dimensions of appearance and connection	04

Features

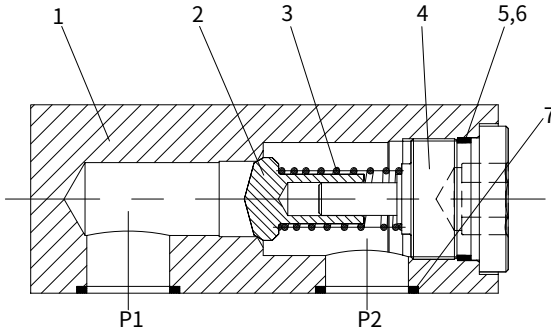
- Taper seat
- Sub-plate mounting
- Various cracking pressures, optional

Symbol



Function and configuration

RVP type check valve is used to allow fluid flowing in one direction and leakage-free closure in opposite direction. When fluid flows via port P1, fluid push poppet(2) to move right way overcoming the spring(3), then connects the chamber P1 and P2. When fluid flows P2 to P1, poppet(2) moves left way and then the check valve closes.



- 1 Housing
- 2 Poppet
- 3 Spring
- 4 spring seat
- 5 O-ring
- 6 Retaining ring
- 7 O-ring

Specification

RV	P	—	—	10J	—	*
----	---	---	---	-----	---	---

Check valve

Sup-plate mounting

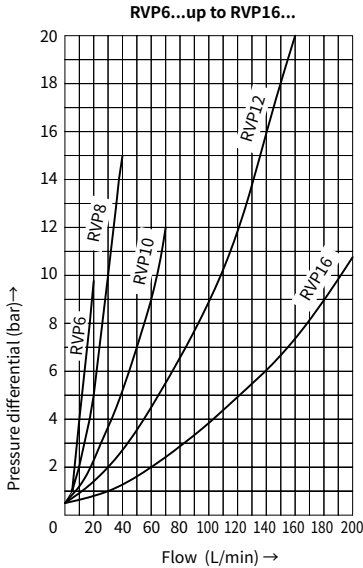
Nominal size 6	= 6
Nominal size 8	= 8
Nominal size 10	=10
Nominal size 12	=12
Nominal size 16	=16
Nominal size 20	=20
Nominal size 25	=25
Nominal size 30	=30
Nominal size 40	=40

Further details in clear text

No code = NBR seals
V = FKM seals

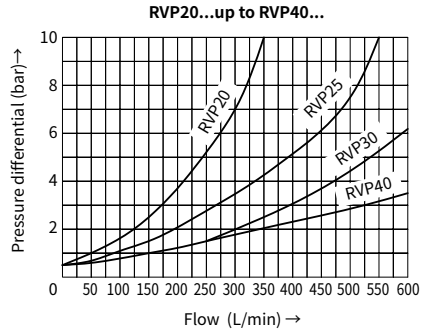
10J = Series 10J to 19J
(10J to 19J: unchanged installation and connection dimensions)

Characteristic curves (Measured at $t=40^{\circ}\text{C} \pm 5^{\circ}\text{C}$, using HLP46)



Flow: P1 to P2

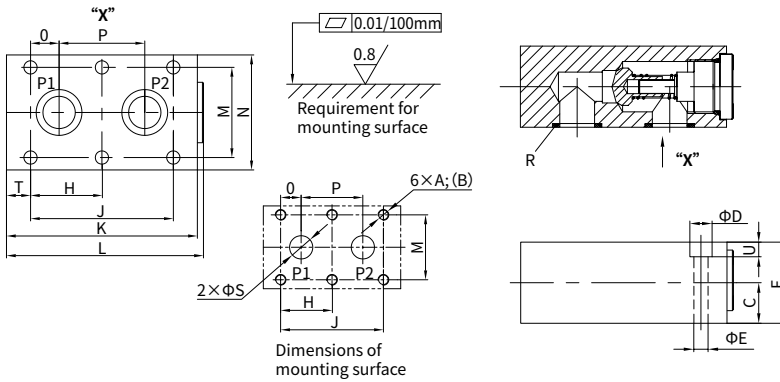
Pressure difference P dependent on flow Q Curve (Measured at $v=38\text{mm}^2/\text{s}$ $t=43^{\circ}\text{C}$)
(Crack pressure: 0.5bar)



Technical data

Nominal size		6	8	10	12	16	20	25	30	40
Max. operating pressure	bar	To 350								
Crack pressure	bar	0.2, 0.5, 1.5, 3, 5								
Viscosity range	mm^2/s	2.8 to 500								
Fluid temperature range	$^{\circ}\text{C}$	-20 to +80								
Fluid		Mineral oil, Phospat ester								
Degree of contamination		Maximum permissible degree of fluid contamination: Class 9. NAS 1638 or 20/18/15, ISO4406								

Dimensions of appearance and connection



Size	A;(B)	C	D	E	F	H	J	K	L
RVP6	M6;(12)	8	11	6.6	16	-	19	41.5	43
RVP8	M6;(12)	10	11	6.6	20	-	35	63.5	66.8
RVP10	M6;(12)	12.5	11	6.6	25	-	33.5	70	72
RVP12	M6;(12)	16	11	6.6	32	-	38	80	84
RVP16	M8;(12)	22.5	14	9	45	38	76	104	107
RVP20	M8;(16)	25	14	9	50	47.5	95	127	131
RVP25	M10;(20)	27.5	18	11	55	60	120	165	169
RVP30	M12;(24)	37.5	20	14	75	71.5	143	186	190
RVP40	M12;(24)	50	20	14	100	67	133.5	192	196

Size	M	N	O	P	S	R(O-ring)	T	U	Weight(kg)
RVP6	28.5	41.5	1.6	16	5	7×1.5	6.4	7	0.2
RVP8	33.5	46	4.5	25.5	7	12×2	14.3	7	0.4
RVP10	38	51	4	25.5	10	12×2	17	8	0.5
RVP12	44.5	57.5	4	30	12	15×2	21	7	1
RVP16	54	70	11.4	54	16	20.29×2.62	14	9	2.1
RVP20	60	76.5	19	57	20	25×3	16	10	3.3
RVP25	76	100	20.6	79.5	25	32×3	15	11	5.8
RVP30	92	115	23.8	95	30	34.52×3.53	15	13	10.3
RVP40	111	140	25.5	89	40	48×3	16	18	17.9