



DZ6DP...type Direct Operated Sequence Valve



DZ6DP...5XJ...type

Size 6
Max. Working Pressure: 315 bar
Max. Flow: 60 L/min

Contents

Function and configuration	02
Symbols	02
Specification	03
Technical data	03
Characteristic curves	03
Unit dimensions	04

Features

- Direct operated
- Porting pattern to DIN 24 340, form A and ISO 4401
- 5 pressure ratings
- 2 adjustment elements:
 - Rotary knob
 - Adjustable bolt with protective cap
- Pressure gauge connection
- Check valve, optional

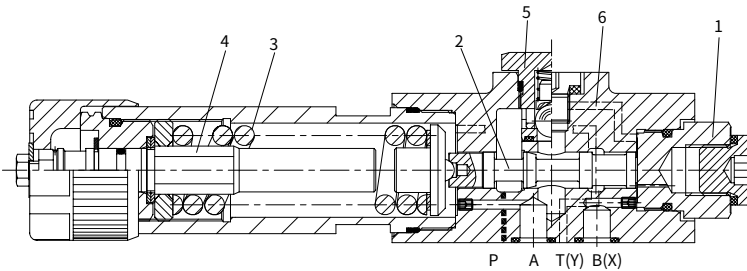
Function and configuration

DZ6DP type valve is a direct operated pressure sequence valve. It is used for the pressure dependent connection of a secondary system. The sequence pressure is setting via the adjusting element(4).

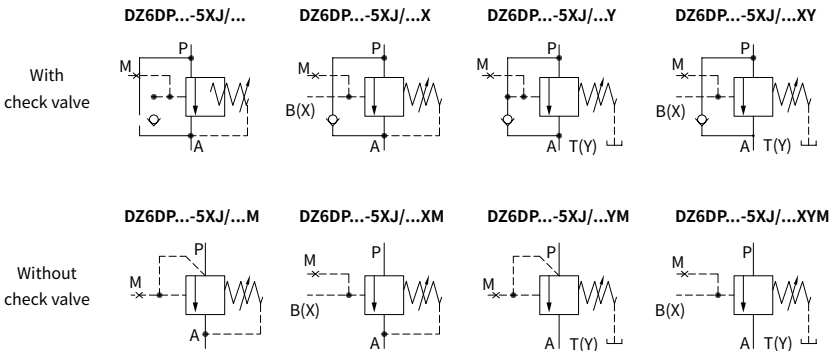
The spring (3) holds the control spool (2) in the neutral position, the valve is blocked. The pressure in channel P is acting at the end surface of the control spool (2) opposite the spring (3) via the control line (6). If the pressure in channel P reaches the setting value of the spring(3), the control spool (2) is moved to the left and the connection P to A is opened. In this case, fluid flows from channel P to A without pressure drop in channel P.

The control signal is adopted internally by the control line (6) from channel P or externally via port B (X). Depending on the use of the valve the leakage oil drain is externally via port T (Y) or internally via A.

Type DZ6DP1-5XJ/...



Symbols



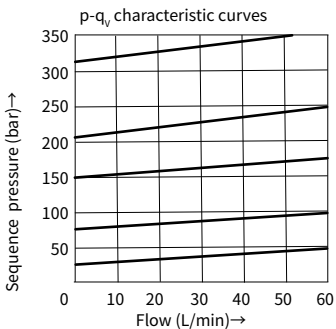
Specification

<table border="1"> <tr> <td>DZ6DP</td> <td>-</td> <td>5XJ</td> <td>/</td> <td></td> <td>/</td> <td></td> <td>*</td> </tr> </table>		DZ6DP	-	5XJ	/		/		*	Further details in clear text
DZ6DP	-	5XJ	/		/		*			
Direct operated pressure sequence valve nominal size 6								No code = NBR seals V = FKM seals		
Rotary knob =1								Pressure tapping thread		
Adjustable bolt with protective cap =2								No code = Incha thread 2 = Metric thread		
Lockable rotary knob with scale =3								No code = With check valve M = Without check valve		
Rotary knob with scale =7								No code = Pilot oil supply internal, oil drain internal X = Pilot oil supply external, oil drain internal Y = Pilot oil supply internal, oil drain external XY = Pilot oil supply external, oil drain external		
Series 50J to 59J (50J to 59J series: unchanged installation and connection dimensions) = 5XJ										
Max. secondary pressure 25 bar =25										
Max. secondary pressure 75 bar =75										
Max. secondary pressure 150 bar =150										
Max. secondary pressure 210 bar =210										
Max. secondary pressure 315 bar =315										

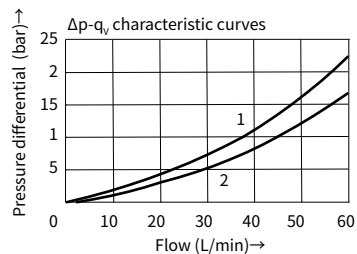
Technical data

Fluid		Mineral oil suitable for NBR and FKM seal Phosphate ester for FKM seal
Fluid temperature range	°C	-30 to +80 (NBR seal) -20 to +80 (FKM seal)
Viscosity range	mm ² /s	10 to 800
Degree of contamination		Maximum permissible degree of fluid contamination: Class 9. NAS 1638 or 20/18/15, ISO4406
Max. operating pressure	Port P,A,B(X) bar	315
	Port T(Y) bar	160
Max. adjustable sequence pressure	bar	25; 75; 150; 210; 315
Max. flow-rate	L/min	60
Weight	kg	Approx. 1.6

Characteristic curves (Measured at t=40°C ±5°C , using HLP46)



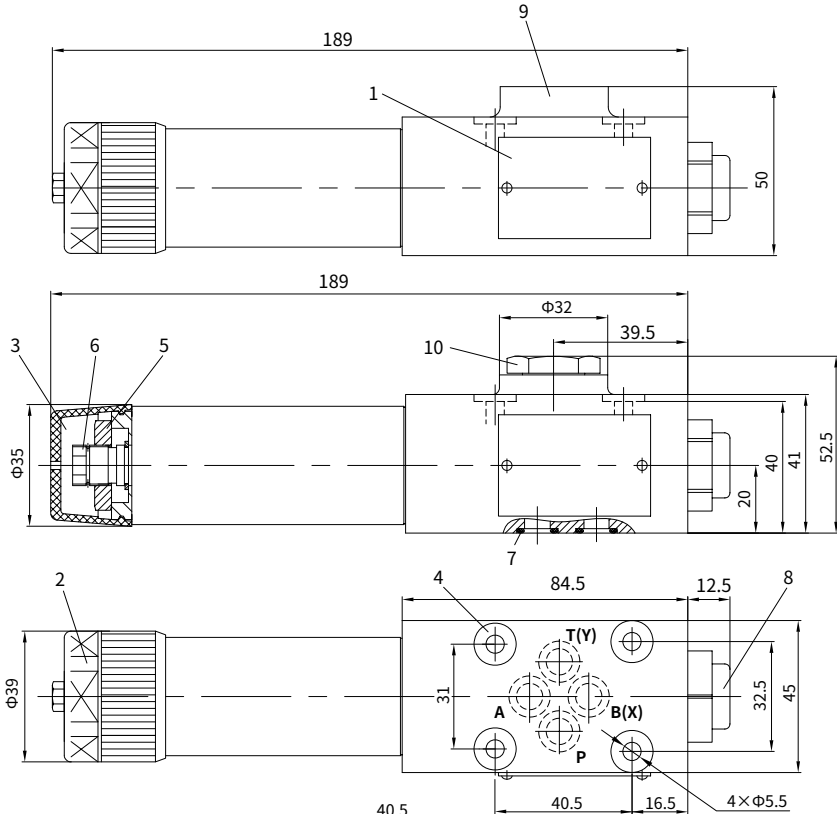
1. Δp-q_v characteristic curves A to P via check valve
2. Δp-q_v characteristic curves P to A



The characteristic curves are valid for output pressure = zero in the complete flow range.

Unit dimensions

(Dimensions in mm)



- 1 Name plate
- 2 Adjustment element "1"
- 3 Adjustment element "2"
- 4 Valve mounting holes
- 5 Lockable screw S=24
- 6 Internal hexagon bolt S=10
- 7 O-rings 9.25×1.78
(Ports A, B, P, T)
- 8 Pressure gauge connection
G1/4 or M14×1.5, 12 deep
Hexagon wrench S=6
- 9 Without check valve
- 10 With check valve

