



DZ10DP...type Direct Operated Sequence Valve



DZ10DP...4XJ...type

Size 10
Max. Working Pressure: 210 bar
Max. Flow: 80 L/min

Contents

Function and configuration	02
Symbols	02
Specification	03
Technical data	03
Characteristic curves	03
Unit dimensions	04

Features

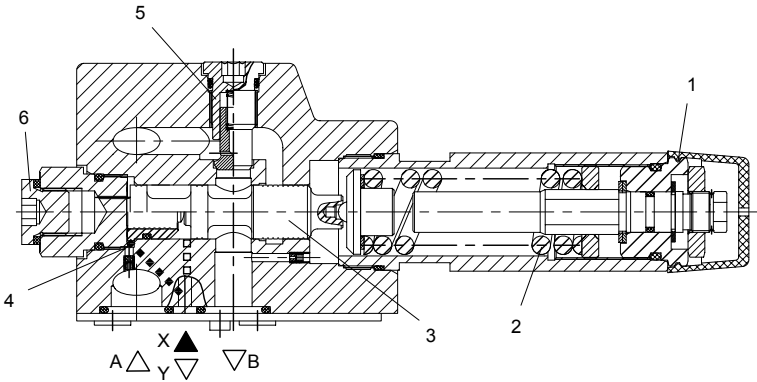
- Direct-acting structure
- Mounting face meeting requirements for DIN24340 A and ISO4401
- 4 pressure ranges
- 2 adjustment forms Knob
 - Knob
 - Adjusting screw with protective cover
- Connector with pressure gauge
- Selectable one-way valve

Function and configuration

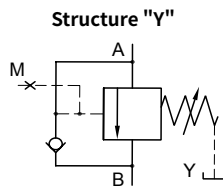
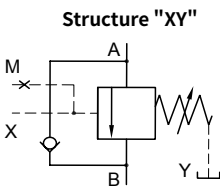
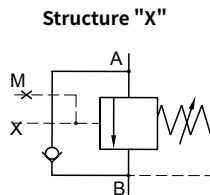
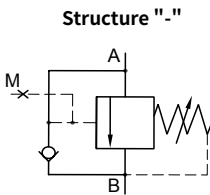
DZ10DP type valve is a direct operated pressure sequence valve. It is used for the pressure-dependent sequencing of a second system. The sequencing pressure is set by the adjusting elements (1). Compression spring (2) holds valve element (3) in initial position and the valve is closed. Pressure of Port A enters the valve element end through control route (4), of which the produced force acting on the valve element (3) on the opposite side of spring (2).

When the pressure reaches the set valve of spring (2), valve element (3) is pushed to connect port A and B; systems connected with oil port B is connected in sequence while the pressure of port A will not drop; control signal is acquired from port A via control route (4) or acquired from the outside via port X. According to the valve purpose, leaked oil can return from the outside of port Y or the inside of port B.

Type: DR10DP1-4XJ/...Y



Symbols



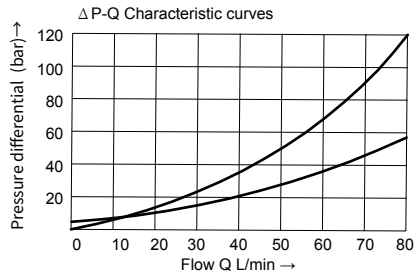
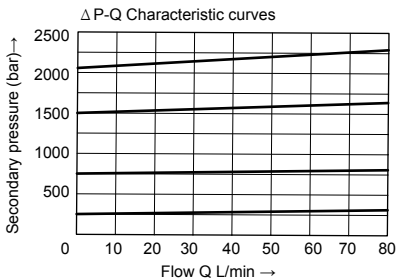
Specification

Direct-acting relief valve diameter 10	DZ10DP	-	4XJ	/		/		*	Further details in clear text
Knob	=1							No code =	NBR seals
Hex bolt with protective cover	=2							V =	FKM seals
Graduated knob with lock	=3							Pressure measurement port thread	
Graduated knob without lock	=7							No mark =	Inch thread G1/4
Series 40J to 49J	=4XJ							2 =	Metric thread M14×1.5
(40J to 49J: unchanged installation and connection dimensions)								No mark =	With one-way valve
								M =	Without one-way valve
Max. secondary pressure 25 bar	=25							No mark=	Control oil supplied from inside and drained to the outside
Max. secondary pressure 75 bar	=75							X=	Control oil supplied from outside and drained to the inside
Max. secondary pressure 150 bar	=150							Y=	Control oil supplied from inside and drained to the outside
Max. secondary pressure 210 bar	=210							XY=	Control oil supplied from outside and drained to the outside

Technical data

Fluid	Mineral oil suitable for NBR and FKM seal Phosphate ester for FKM seal		
Fluid temperature range	°C	-30 to +80 (NBR seal) -20 to +80 (FKM seal)	
Viscosity range	mm ² /S	10 to 800	
Degree of contamination	Maximum permissible degree of fluid contamination: Class 9. NAS 1638 or 20/18/15, ISO4406		
Max operation pressure	oil port P, A, B(X)	bar	210
	Oil port T(Y)	bar	160
Max sequence pressure set (adjustable) with port B		bar	25; 75; 150; 210
Max flow		L/min	80
Weight		kg	About 3

Characteristic curves (Measured at t=40°C ±5°C , using HLP46)

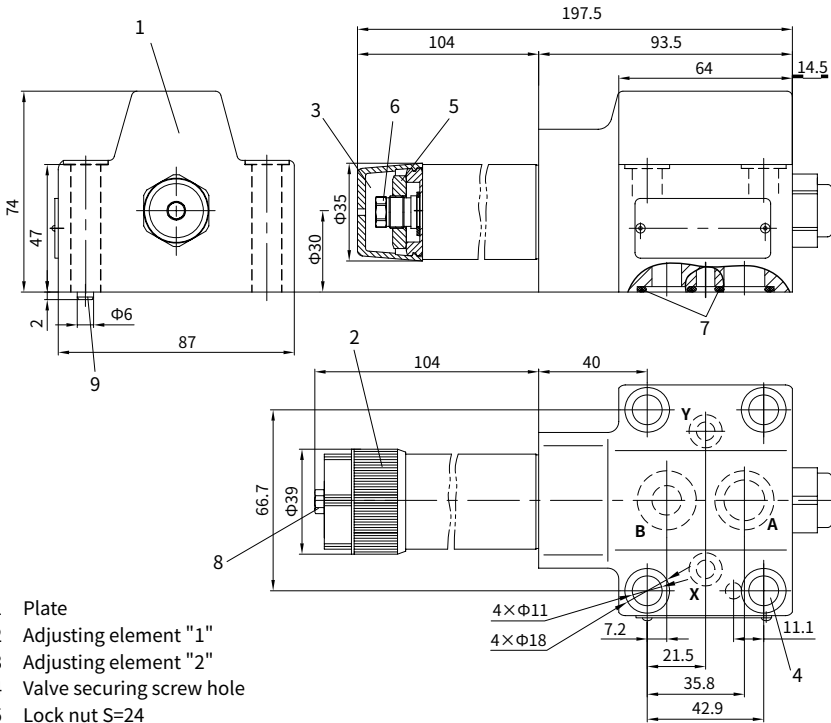


ΔP-Q- characteristic curve, flowing via one-way valve B to A.

ΔP-Q characteristic curve, A to B

Unit dimensions

(Dimensions in mm)



- 1 Plate
- 2 Adjusting element "1"
- 3 Adjusting element "2"
- 4 Valve securing screw hole
- 5 Lock nut S=24
- 6 Inner hex adjusting screw S=10
- 7 O-ring 17.12×2.62(A, B)
O-ring 8.75×1.8 (X, Y)
- 8 Pressure gauge interface
G1/4 or M14×1.5; in depth 12
Hex wrench S=6
- 9 Positioning pin

