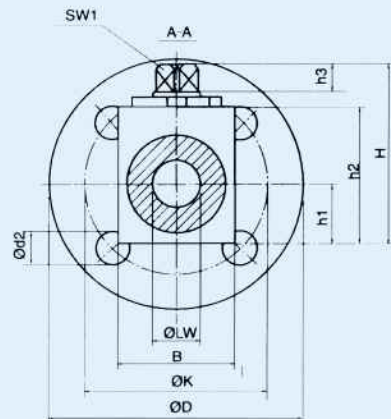
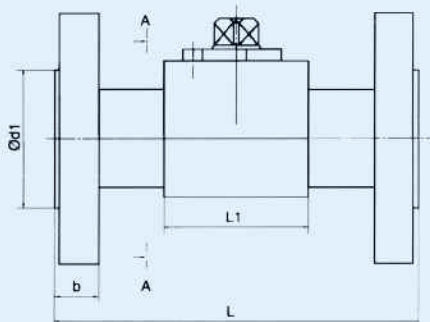


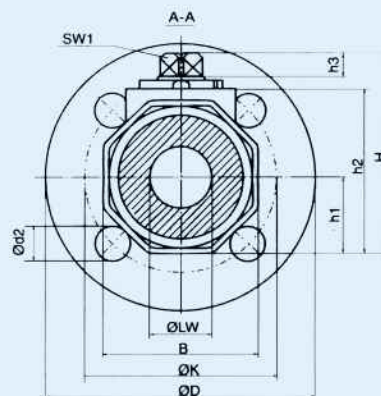
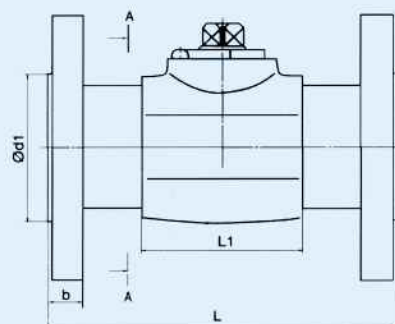
# 2- way Ball Valves with DIN-connections

## 3. Dimensions

**KHBF**



**KHMF KHMF**



Model	PN(bar)	LW	L	L1	D	d1	d2	K	B	b	H	h1	h2	h3	SW1	Z*												
KHBF-016	40	15	130	47	95	45	14	65	38	16	63.5	19	46	11	12	4												
	160				14		75	20																				
	315				18		90	26																				
KHBF-020	40	20	150	60	105	55	14	75	48	18	75	24	57	12	14													
	160																18	100	24									
	250																22	105	28									
	315																22	115	34									
KHMF-032	40	30	180	84	138	78	18	100	75	18	104.5	37.5	84	14	17													
	160																22	110	26									
	40																38	200	91	148	88	18	110	85	18	115.5	42.5	95
	160																											
250	26	135	34																									
315	26	145	38																									
KHMF-040	40	48	230	100	165	102	18	125	105	20	133	52.5	112.5	14	17													
	63															22	135	26										
	160															26	145	30										
	250															26	150	38										
	315															26	160	42										
KHMF-050	40	30	130	84	138	78	18	100	75	18	104.5	37.5	84	14	17	8												
KHMF-032	40	38	140	91	148	88	18	110	85	18	115.5	42.5	95	14	17	4												
KHMF-040	40	48	150	100	165	102	18	125	105	20	133	52.5	112.5	14	17	4												
KHMF-050	40	30	130	84	138	78	18	100	75	18	104.5	37.5	84	14	17	8												
KHMF-032	40	38	140	91	148	88	18	110	85	18	115.5	42.5	95	14	17	4												
KHMF-040	40	48	150	100	165	102	18	125	105	20	133	52.5	112.5	14	17	4												