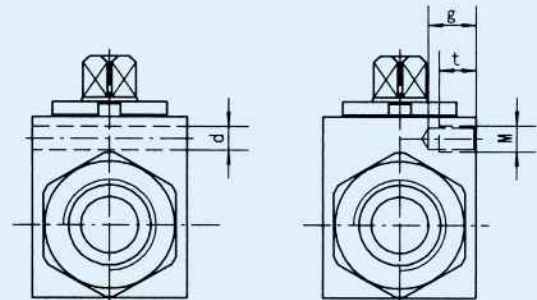
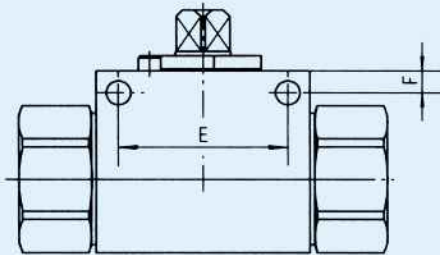


2-way & 3-way Ball Valves with Mounting Holes



2-way Ball Valves with Mounting Holes



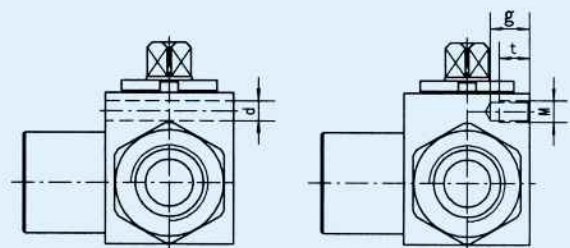
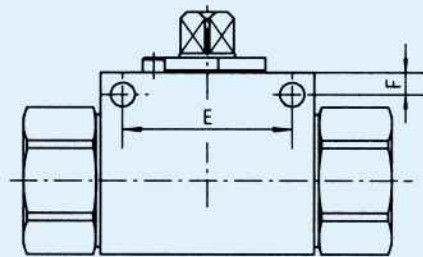
Full Holes Dimensions

DN	E	F	d
4	26	5	4.5
6	26	5	4.5
10	32	5	6.5
13	37.5	4.8	6.5
16	37.5	5	6.5
20	45	6.5	6.5
25	55	6	6.7
25/32	55	6	6.7

Thread Holes Dimensions

DN	E	F	t	g	M
4	24	6	6.5	9	M6
6	24	6	6.5	9	M6
10	32	5.5	7	10	M6
13	36	6	8.5	11	M6
16	32	8	7	10.5	M6
20	45	7.5	12	15	M10
25	45	7.5	12	15	M10
25/32	45	7.5	12	15	M10

3-way Ball Valves with Mounting Holes



Full Holes Dimensions

DN	E	F	d
4	26	5	4.5
6	26	5	4.5
10	32	5	6.5
13	37.5	4.8	6.5
16	37.5	5	6.5
20	45	6.5	6.5
25	55	6	6.7
25/32	55	6	6.7

Thread Holes Dimensions

DN	E	F	t	g	M
4	24	6	6.5	9	M6
6	24	6	6.5	9	M6
10	32	5.5	7	10	M6
13	36	6	8.5	11	M6
16	32	8	7	10.5	M6
20	45	7.5	12	15	M10
25	45	7.5	12	15	M10
25/32	45	7.5	12	15	M10