

# 3-way Ball Valves with Threaded Connections

## 1. How to order

**KHB3K** - **G1/2** - **L** - **1** **1** **1** **2**  
 (1) (2) (3) (4) (5) (6) (7)

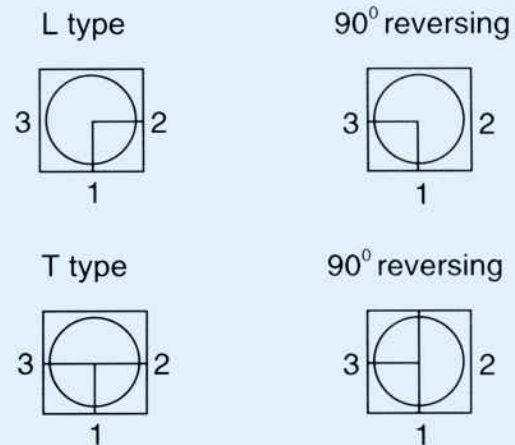
- (1) Model: KHB3K: Square body DN 04 - DN 50
- (2) Thread size: e.g. G1/2
- (3) Porting pattern: See chart of porting pattern
- (4) Block and connections material: 1 = Carbon steel  
4 = Stainless steel 304
- (5) Ball & stem material: 1 = Carbon steel  
4 = Stainless steel 304
- (6) Ball seat material: 1 = POM 4 = PTFE 5 = PEEK
- (7) Connection & stem seal: 2 = NBR 4 = FPM(Viton)  
6 = EPDM



## 2. Porting pattern (See chart)

Hydraulic oil just can flow into valve through port "1", and the valve only can be sealed under the two situations:

- (1) Pressure at the closed port is zero;
- (2) Pressure at the closed port is lower than at the two open ports.



## 3. Dimensions

### KHB3K

