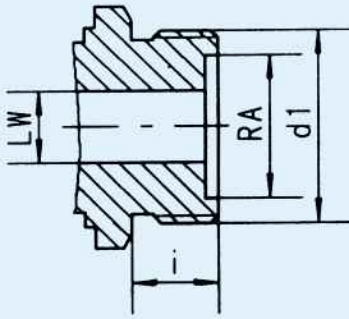
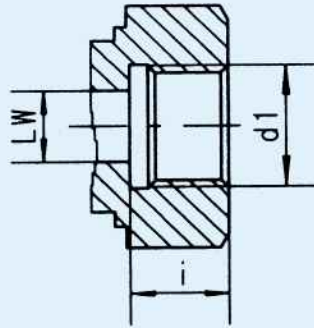


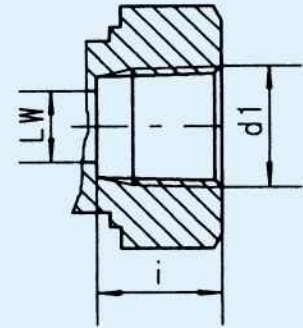
## 2-way Ball Valves with Threaded Connections



JB984-77



ISO 228



ANSI B1.20.1

### JB984-77 Male Face Seal

Model	DN	PN	LW	RA	d1	i	L	L1	B	H	h1	h2	h3	SW1	SW2
KHB-M12x1.25	4	500	4	8	M12 x1.25	9	61	37	28	44.5	13	32	8	9	22
KHB-M16x1.5	6	500	6	11	M16x1.5	11	69	37	28	44.5	13	32	8	9	22
KHB-M22x1.5	8	500	8	16	M22x1.5	12	76	42	32	52.5	17	40	8	9	27
KHB-M27x1.5	10	500	10	20	M27x1.5	12	76	42	32	52.5	17	40	8	9	30
KHB-M30x1.5	16	400	15	24	M30x1.5	13	84	47	38	63.5	19	46	11	12	32
KHB-M36x2	20	315	20	30	M36x2	15	103	60	48	75	24	57	12	14	41
KHB-M42x2	25	315	25	35	M42x2	18	116	65	57	82	28.5	64	12	14	50
KHM-M52x2	32	315	30	40	M52x2	20	149	84	75	104.5	37.5	84	14	17	60
KHM-M60x2	40	315	38	50	M60x2	22	174	91	85	115.5	42.5	95	14	17	70
KHM-M72x2	50	315	48	60	M72x2	24	178	100	105	133	52.5	112.5	14	17	80

### ISO 228 Female

Model	DN	PN	LW	d1	i	L	L1	B	H	h1	h2	h3	SW1	SW2
KHB-G1/8	4	500	6	G1/8	10	69	37	28	44.5	13	32	8	9	22
KHB-G1/4	6	500	6	G1/4	14	69	37	28	44.5	13	32	8	9	22
KHB-G3/8	10	500	10	G3/8	14	72	42	32	52.5	17	40	8	9	27
LHB-G1/2	13	500	13	G1/2	16	83	48	35	52.5	17	40	8	9	30
KHB-G1/2	16	400	15	G1/2	16	83	47	38	63.5	19	46	11	12	32
KHB-G3/4	20	315	20	G3/4	18	95	60	48	75	24	57	12	14	41
KHB-G1	25	315	25	G1	20.5	113	65	57	82	28.5	64	12	14	50
KHB-G1 1/4	25/32	315	25	G1 1/4	22	120	65	60	82	28.5	64	12	14	55
KHB-G1 1/2	25/40	315	25	G1 1/2	24	130	65	60	82	28.5	64	12	14	60
KHM-G1 1/4	32	315	30	G1 1/4	22	110	84	75	104.5	37.5	84	14	17	60
KHM-G1 1/2	40	315	38	G1 1/2	24	130	91	85	115.5	42.5	95	14	17	70
KHM-G2	50	315	48	G2	26	140	100	105	133	52.5	112.5	14	17	80

### ANSI B1 20, INPT Female

Model	DN	PN	LW	d1	i	L	L1	B	H	h1	h2	h3	SW1	SW2
KHB-1/8NPT	4	500	6	1/8NPT	10.5	69	37	28	44.5	13	32	8	9	22
KHB-1/4NPT	6	500	6	1/4NPT	14	69	37	28	44.5	13	32	8	9	22
KHB-3/8NPT	10	500	10	3/8NPT	14	72	42	32	52.5	17	40	8	9	27
KHB-1/2NPT	13	500	13	1/2NPT	17	83	48	35	52.5	17	40	8	9	30
KHB-3/4NPT	20	315	20	3/4NPT	19	95	60	48	75	24	57	12	14	41
KHB-1 NPT	25	315	25	1NPT	22.5	113	65	57	82	28.5	64	12	14	50
KHB-1 1/4NPT	25/32	315	25	1 1/4NPT	22.5	120	65	60	82	28.5	64	12	14	55
KHB-1 1/2NPT	25/40	315	25	1 1/2NPT	25	130	65	60	82	28.5	64	12	14	60
KHM-1 1/4NPT	32	315	30	1 1/4NPT	25	120	84	75	104.5	37.5	84	14	17	60
KHM-1 1/2NPT	40	315	38	1 1/2NPT	25	130	91	85	115.5	42.5	95	14	17	70
KHN-2 NPT	50	315	48	2NPT	30	140	100	105	133	52.5	112.5	14	17	80

PN=bar