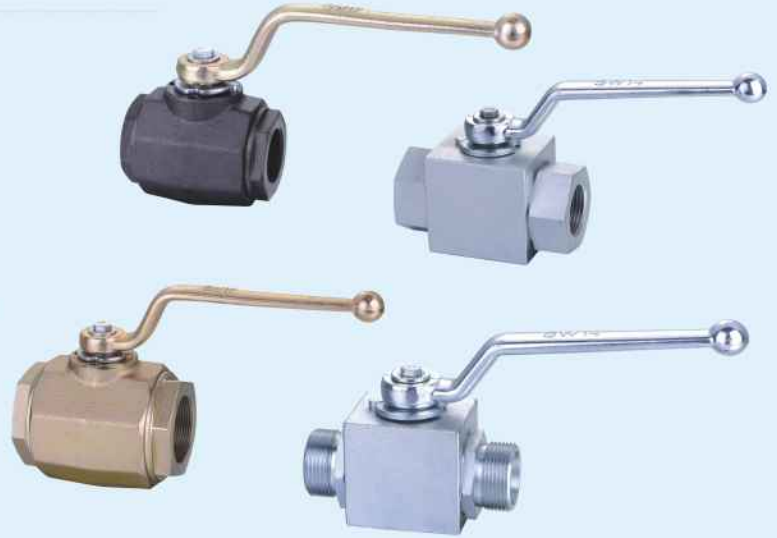


2-way Ball Valves with Threaded Connections

1. How to order

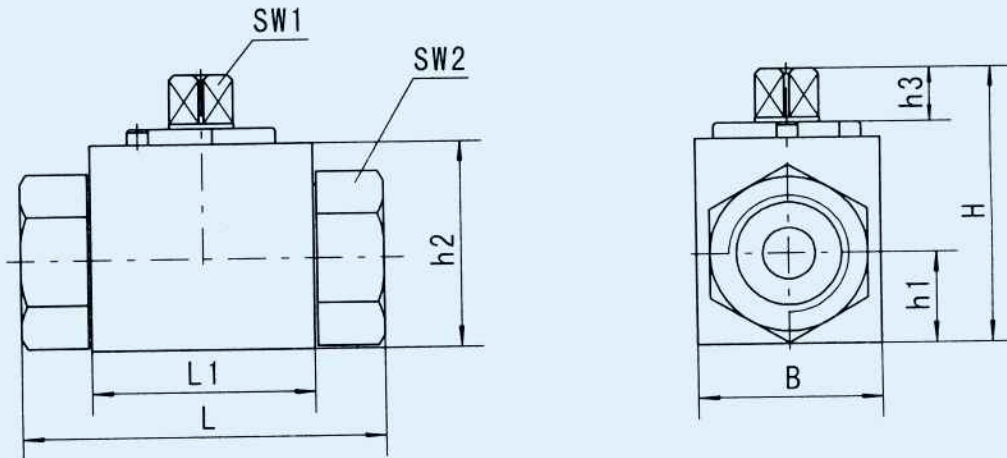
KHB - **G1/2** - **1** **1** **1** **2**
(1) **(2)** **(3)** **(4)** **(5)** **(6)**

- (1) Model: KHB: Square body DN 04 - DN 25
 KHM: Eight-square body DN 32 - DN 50
- (2) Thread size: e.g. G1/2
- (3) Block and connection material: 1 = Carbon steel
 4 = Stainless steel 304
- (4) Ball & stem material: 1 = Carbon steel
 4 = Stainless steel 304
- (5) Ball seat material: 1 = POM 4 = PTFE 5 = PEEK
- (6) Connection & stem seal: 2 = NBR 4 = FPM(Viton)
 6 = EPDM



2. Accessories

KHB



KHM

